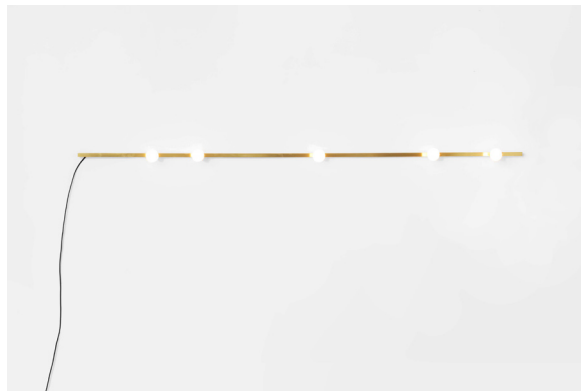


HARDWIRE



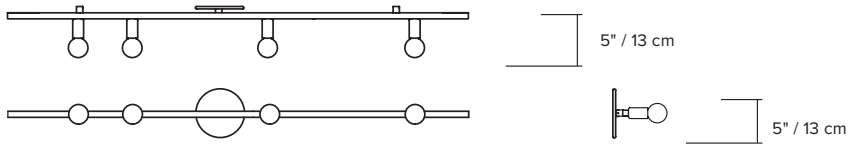
SOFTWIRE

DOT LINE WALL

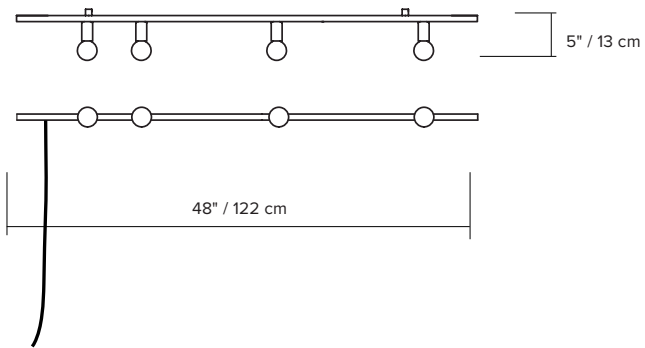
The Dot Collection combines the directness of exposed, spherical bulbs with the rich materiality of brass. Focused, geometric compositions contain these two features, balancing line, surface, and luminous points. The result is a collection of lamps based in the reflectivity of brass—lamps that are both atmospheric and firm.

- type:** wall - softwire (SW) or hardwire (HW)
- construction:** brass or powder coated aluminium and brass body
brass or powder coated brass hardware
milk glass globes
vinyl cord (SW)
- specifications:** source: LED lamp provided (G9 base)
power consumption: DOT10A - 4x 3.5W
DOT10B - 5x 3.5W
lumen output: DOT10A - 961lm
DOT10B - 1202lm
colour temperature: 2700K included
* 3000K available upon request
colour rendering index: 80 CRI standard
* ≥ 90 CRI upon request
expected lifetime: ≥ 25 000h
- control:** refer to our recommended list of dimmer models (HW)
- cord length:** SW **hand switch:** 96"/ 244 cm provided
switch positioned at 18"/ 46 cm from body
SW **foot switch:** 120"/ 305 cm provided
switch positioned at 72"/ 183 cm from body
- weight:** DOT10A : DOT10B :
3.4 lb - 1.6 kg - brass 4.6 lb - 2.1 kg - brass
2.6 lb - 1.2 kg - aluminium 3.8 lbs - 1.8 kg - aluminium
- certifications:**     IP20
- warranty:** 2 years

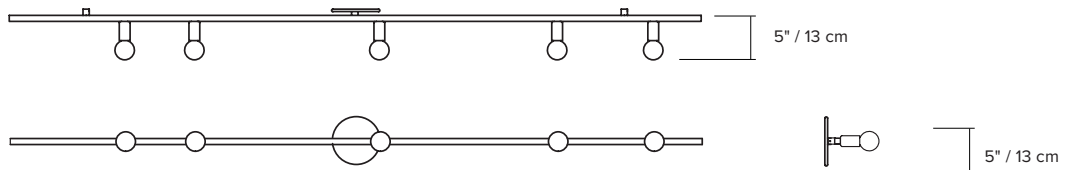
A HARDWARE



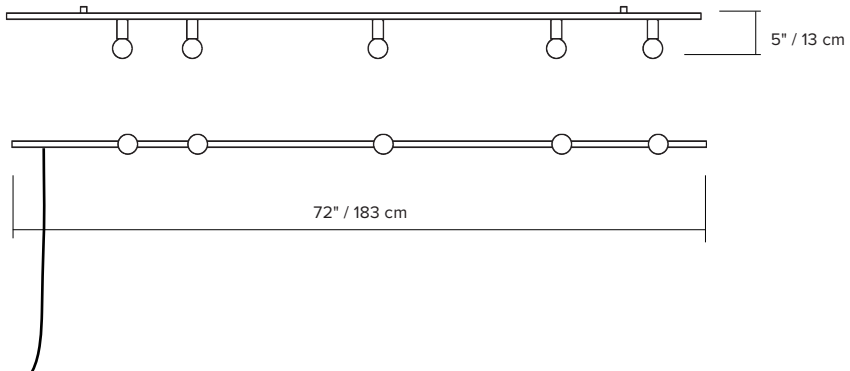
SOFTWIRE



B HARDWARE



SOFTWIRE



 G50 $\varnothing \pm 2" / 50 \text{ mm}$

ORDER GUIDE: SKU

COLLECTION	MODEL	INSTALLATION	FINISH	CANOPY
DOT dot	10A	HW hardwire	BR brass	BR brass
	10B		BK black	BK black
			WH white	WH white
DOT	10A	HW	BR	BR = DOT10AHWBRBR

example

COLLECTION	MODEL	INSTALLATION	FINISH	CORD	SWITCH
DOT dot	10A	SW softwire	BR brass	BK black	HD hand at 18"/ 46 cm
	10B		BK black	WH white	FT floor at 72"/ 183 cm
			WH white		
DOT	10A	SW	BR	BK	HD = DOT10ASWBRBKHD

example

FINISH



brass



flat black

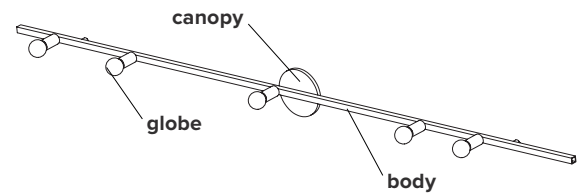


flat white

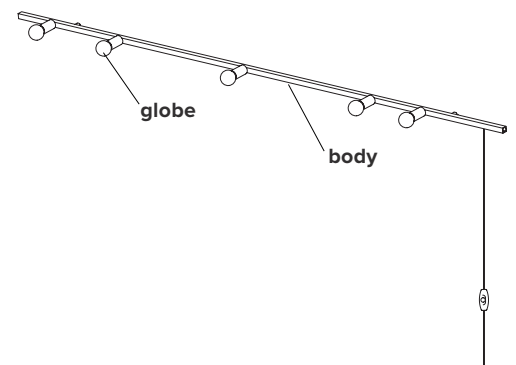
NOTES:

- must be installed by an electrician (HW)
- not protected against liquids (refer to IP20)
- additional charges for modifications or for special orders
- please refer to maintenance sheet on website for cleaning instructions

HARDWIRE



SOFTWARE



DIMMER SPECIFICATIONS FOR HARDWIRE ONLY

DIMMER LIST COMPATIBILITY FOR G9 LED BULBS – 120V

The dimming technology offering the best results is ELV (electronic low voltage) dimmers with reverse phase or trailing edge control.

DIMMER BRAND	MODEL NUMBER	MIN LEVEL	MAX LEVEL	FLICKERING	OVERALL QUOTE
LUTRON - MAESTRO	MAELV-600	0%	100%	0%-10%	good
LUTRON - SKYLARK	SELV-300P	0%	100%	no	very good
LUTRON - SKYLARK	SELV-303P	0%	100%	no	very good
LUTRON - SKYLARK	CTELV-303P	0%	100%	no	very good
LUTRON - DIVA	DVELV-300P	0%	100%	no	very good
LEGRAND - ADORNE	TRUE UNIVERSAL	30%	100%	no	good

DIMMER LIST COMPATIBILITY FOR G9 LED BULBS – 230V

DIMMER BRAND	MODEL NUMBER	MIN LEVEL	MAX LEVEL	FLICKERING	OVERALL QUOTE
VARILIGHT	V-PRO	2%	100%	no	very good
LEGRAND - NILOÉ	3 996 35	15%	87%	no	good
NIKO	310-0280X	5%	94%	no	very good
NIKO	310-0190X	1%	100%	no	very good

*Other dimmers can yield good results and we recommend conducting your own test before final installation.

EU ENERGY LABEL

